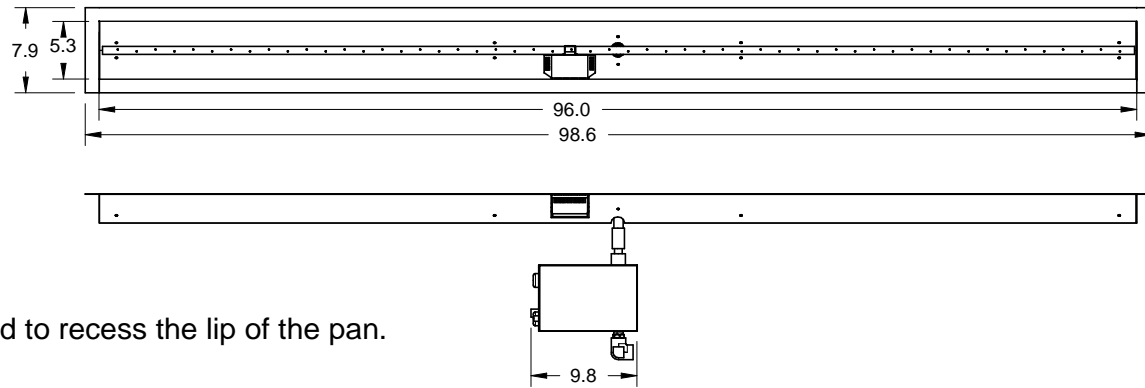
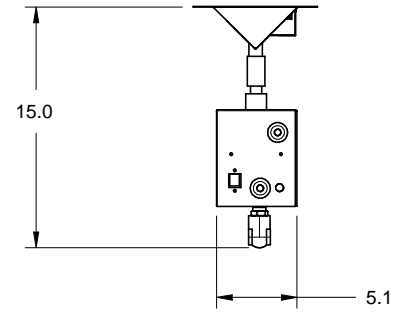



Click on Image to View in 3D

REVISIONS				
ZONE	REV	DESCRIPTION	DATE	APPROVED



It is recommended to recess the lip of the pan.

Materials: Pan, Burner, and Valve Box Are All 304 Stainless Steel Construction	DRAWN Mike Adkins	DATE 11/5/2010	96SSHWI-TRGH			
	CHECKED					
Overall Height = +- 2.0 Depending on Configuration	QA		 Hearth Products Controls Co			
	MFG					SIZE A
	APPROVED		SCALE		SHEET	